

NG Tool Suite Software



Supports all gradient, RF & Shimming Amplifiers



Decrease installation & integration time



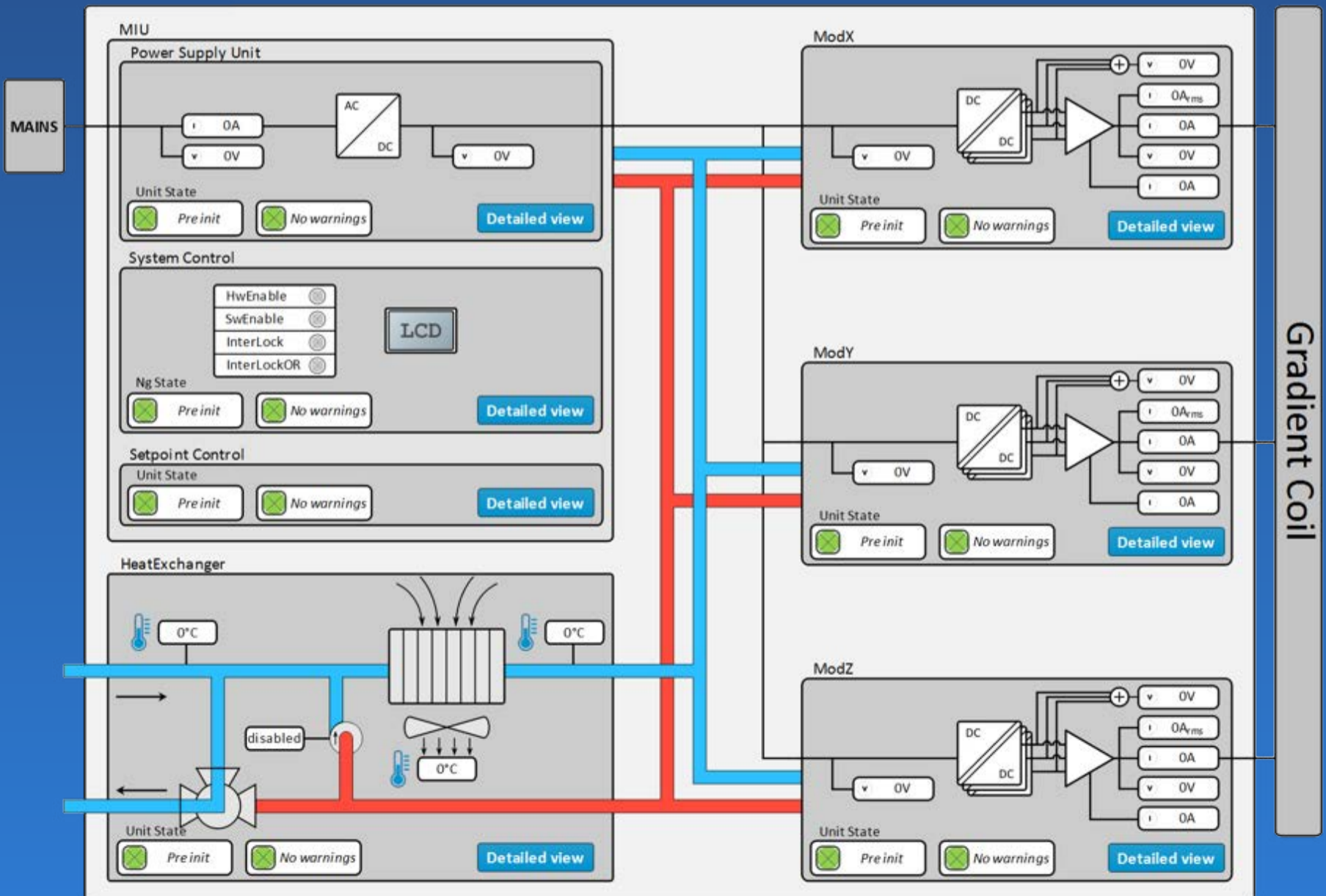
Remote control via Ethernet & Serial



Extensive diagnostics & monitoring



Standard included with every NG-series product



NG Tool Suite Software



Specifications	
Human Machine Interface	
System overview at a glance	
(Remote) real-time monitoring function	
Diagnostics	Air, liquid, component temperatures, humidity
	Input/output voltage & currents
	Graphical representation on multi level in-depth diagnostics (up to register level)
	Error logging
Remote Control via Ethernet & Serial	
State machine control	
Software enable & independent axis enable	
(Auto)tuning & visualization tool	
Control loop simulation	
Bode plot & results	
Live updateable tuning parameters	
Automatic tuning functionality	
Configuration tool	
Save & load system presets	Storing tuning results within 2 clicks
	Export to file/import from file
	Read /edit actual system settings

